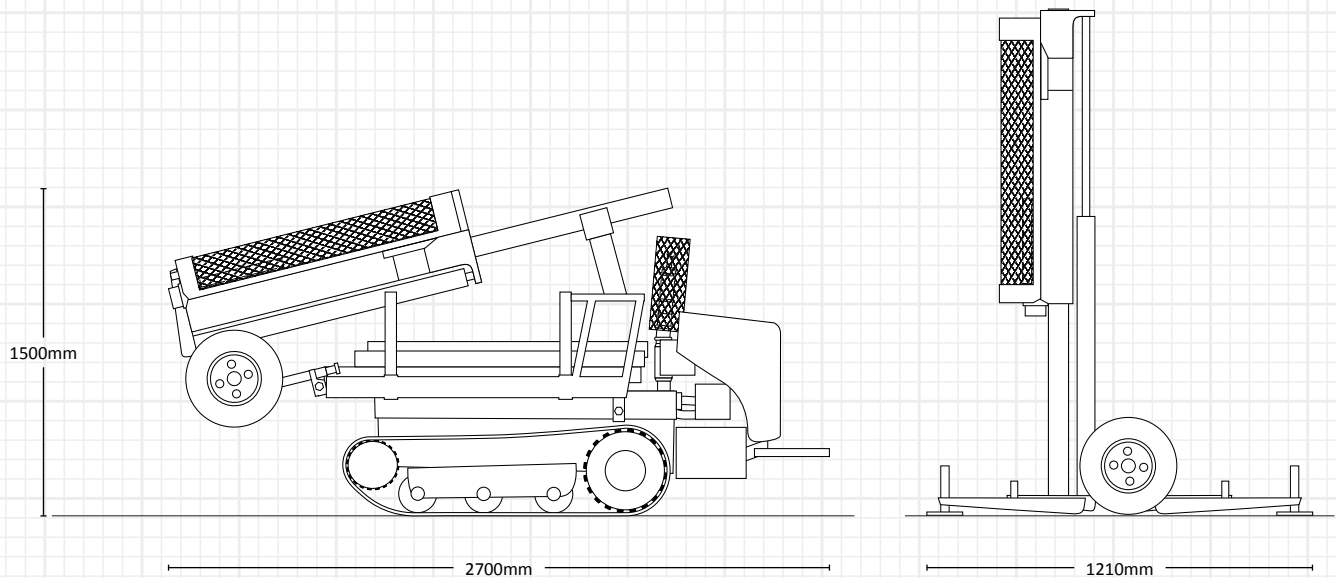
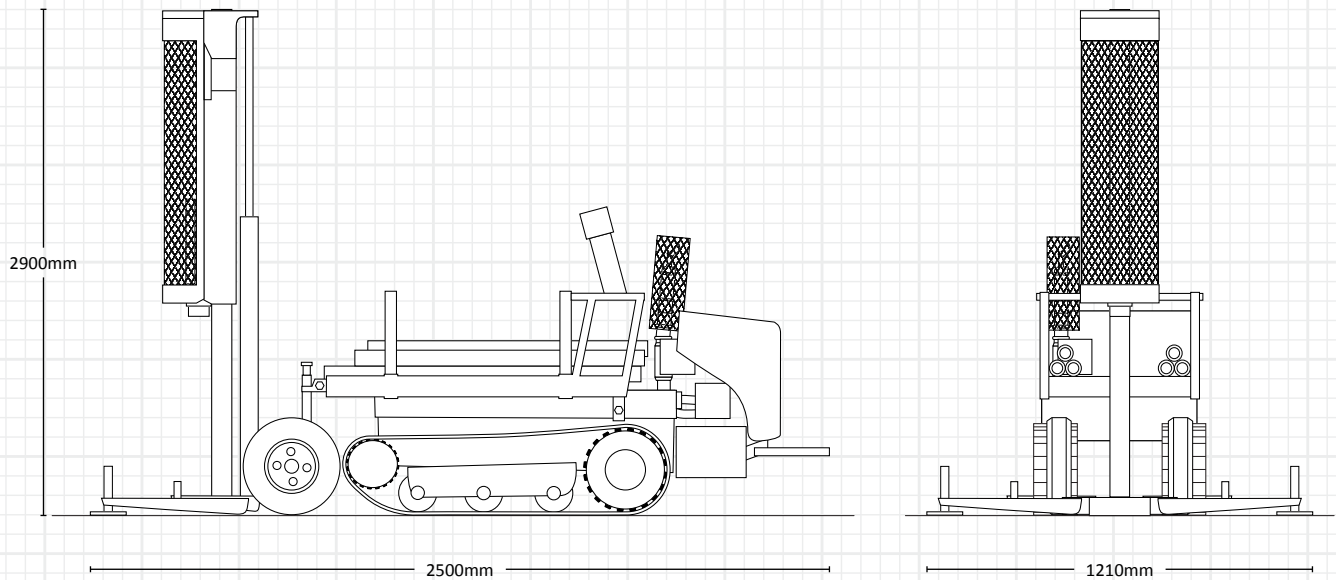


# Terrier Drilling Rig

Height		Width		Weight		Maximum Pullback	Approx. Noise Level	
Complete	2900mm	Safety Cage	1050mm	Complete	1150kg	7000kg	Engine idle 1m	83 db
Short Mast	N/A	Tracks (Fixed)	850mm	<b>Transport</b>		<b>Set up Area</b>	Hammer on 1m	118 db
Tracking	1500mm	Widest Set Up	1210mm	Transit and Trailer	3000mm (L) x 1500mm (W)		Hammer on 10m	96 db

The entire mast assembly with wheels can be detached from the main superstructure for operation remotely in areas of restricted access.

Height	Width		Weight	Set up Area
Mast Height	2900mm	Remote	600mm	Approx 200kg
				1210mm (L) x 1210mm (W)



Remote working  
(Mast removed from tracked base)

In-situ Test	Drop Height (mm)	Weight (kg)
SPT Testing	750mm	63.5kg
Dynamic Probe		
DPSH-A	500mm	63.5kg
DPSH-B	750mm	63.5kg
DPH	500mm	50kg

