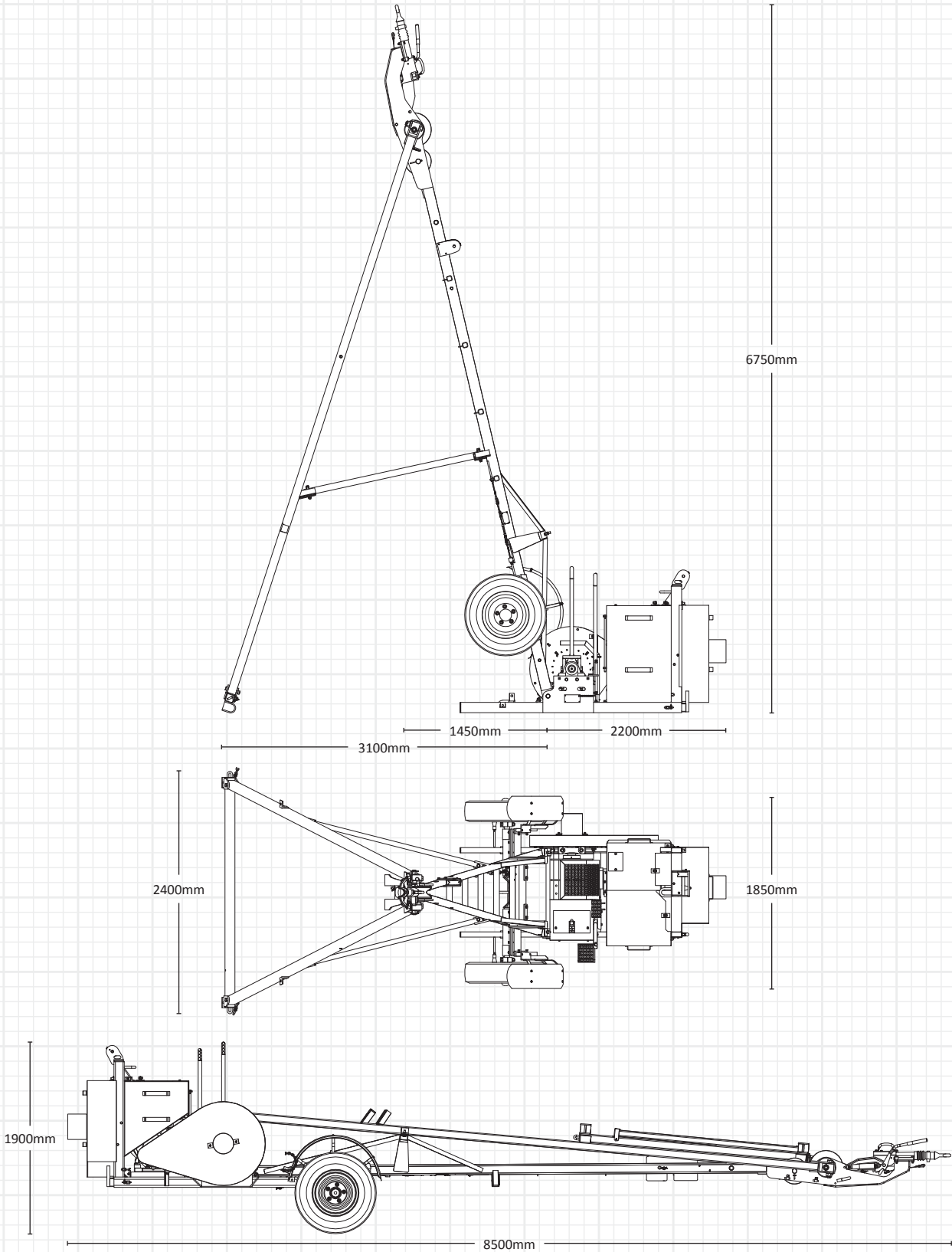


CP01 - Dando 2000

Height		Weight		Transport		Approximate Noise Level	
Set up	6750mm	Rig only	1700kg	Landrover towed		Engine idle at 10m	68 db
Width		Maximum Single Line Pullback		Set up Area		Installing casing at 10m	90 db
Set up	2400mm	2000kg		8000mm (L) x 2600mm (W)		SPT hammer at 10m	90 db



Unit A2 | Innsworth Technology Park | Innsworth Lane | Gloucester | GL3 1DL | UK



01452 739165



info@ccground.co.uk



www.ccground.co.uk



CC Ground Investigations Ltd